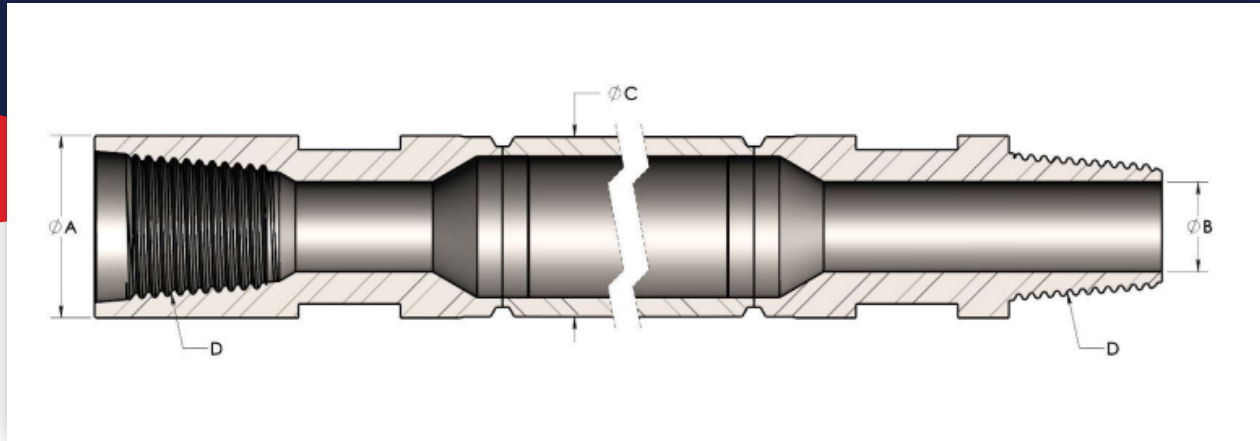


# Matrix Water Well Drill Pipe

Connecting the Power Source to the Resource



## Product Description

Matrix Water Well Drill Rods are available with a variety of midbody wall thicknesses and wrench flat configurations to fit your specific weight and handling requirements.

Matrix Water Well Drill Pipe Data Table

| Tool Joint O.D. | Tool Joint I.D. | Midbody O.D. | Tool Joint Connection |
|-----------------|-----------------|--------------|-----------------------|
| A               | B               | C            | D                     |
| 2.75"           | 1.50"           | 2.75"        | 2.375" Mayhew Jr.     |
| 3.00"           | 1.50"           | 3.00"        | 2.375" Mayhew Jr.     |
| 3.00"           | 1.50"           | 3.00"        | 2.375" F.E.D.P.       |
| 3.25"           | 1.50"           | 3.25"        | 2.375" Mayhew Regular |
| 3.50"           | 1.75"           | 3.50"        | 2.375" Internal Flush |
| 4.00"           | 1.25"           | 4.00"        | 2.875" Regular        |
| 4.50"           | 2.125"          | 4.50"        | 2.875" Internal Flush |
| 4.50"           | 1.50"           | 4.50"        | 3.50" Regular         |
| 4.625"          | 2.125"          | 4.50"        | 3.5" Full Hole        |
| 4.75"           | 2.688"          | 4.75"        | 3.50" Internal Flush  |
| 5.00"           | 2.75"           | 5.00"        | 3.50" Internal Flush  |
| 5.00"           | 2.125"          | 5.00"        | 3.5" Full Hole        |
| 5.00"           | 1.50"           | 5.00"        | 3.5" Regular          |
| 5.50"           | 2.813"          | 5.50"        | 4.0" Full Hole        |
| 5.50"           | 2.25"           | 5.50"        | 4.5" Regular          |
| 6.00"           | 3.00"           | 6.00"        | 4.5" Full Hole        |
| 6.00"           | 2.25"           | 6.00"        | 4.5" Regular          |

